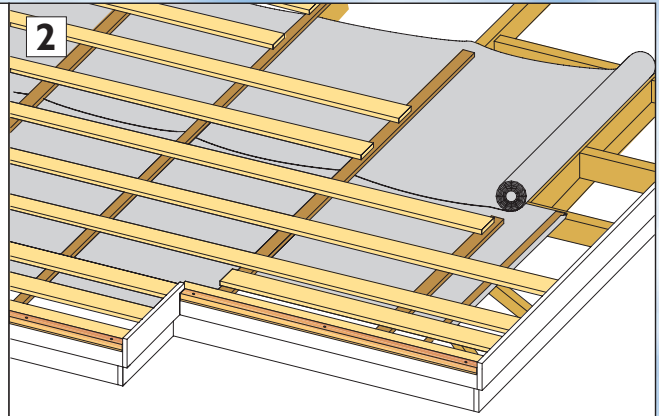
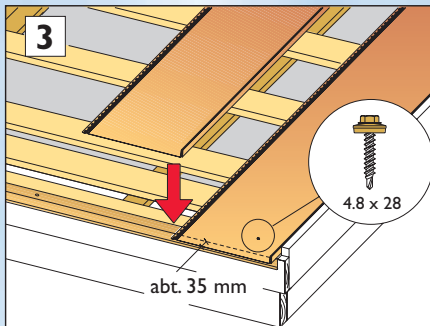


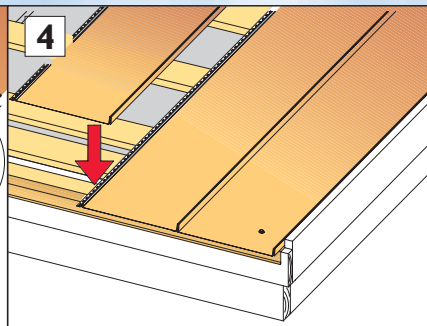
Roofing battens size 32 x 100 mm spaced at max. 300 mm. Fasten the extra roofing batten to lower eave around thru holes and at snow barriers and roof bridges.



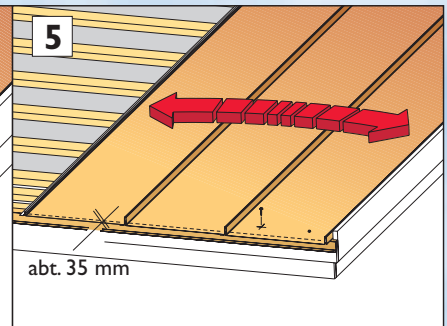
Overlap the underlay sheets by at least 150 mm. (See Picture 10 for overlapping at the ridge) Fasten the 50 x 50 mm laths to roof trusses and the roofing battens on top. (Picture 1). Fasten eaves flashing to lower eave with flathead hot galvanized nails (eg. felt nails) at abt. 1 m apart. Staple the sound insulation tape to roofing battens from eave to ridge as per sheet dimensioning (in the middle of each sheet).



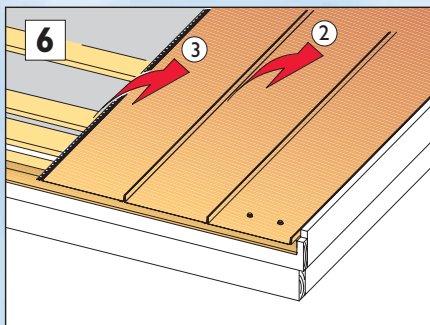
Line the first sheet along the lower eave and screw it to the lower roofing batten (one screw only). Fasten the second sheet to the first sheet at the join.



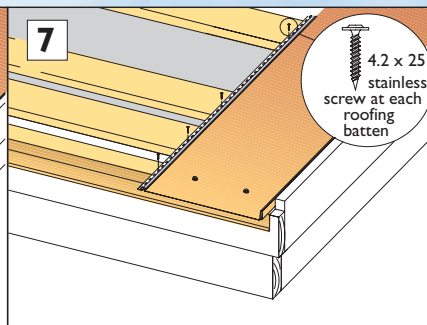
Fasten the third sheet to the second sheet at the join. Make sure the bottom sheet ends are in line.



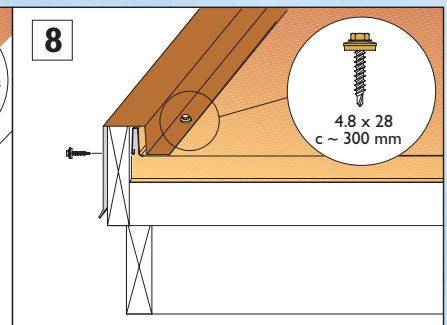
Set the joined sheets straight in line with lower eave. Use one more screw to lock the first sheet to the lower roofing batten.



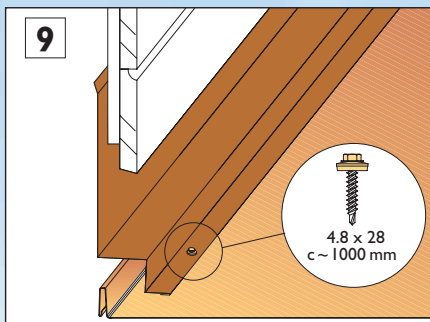
Detach the third and second sheet by lifting at the edge.



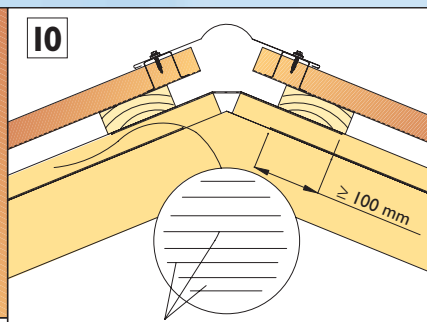
Now fasten the first sheet at each roofing batten with flat-headed screws at sheet perforation holes. Install the rest of the sheets by pressing them together at the joint and by screwing them to the roofing battens. Finally fasten all sheets to the lower roofing batten (2 drilling screws / sheet).



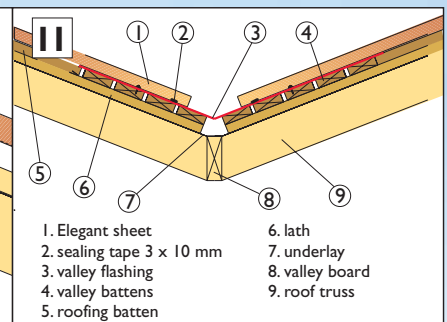
Use drilling screws to fasten the endwall flashings to the sheets at abt. 300 mm apart and to the gable boards at abt. 1 m apart.



Screw the endwall flashings to the sheets at abt. 1 m apart. Use drilling screws.



Fasten the ridge sealing strip to the sheets (not to the roofing battens) and then screw the ridge cappings to the sealing strips at abt. 500 mm apart. Use drilling screws.



Cut the sheets into mitre (abt. 100 mm from mitre centre) and attach the sealing tape in line with the valley between the sheet and valley flashing. Lock the valley flashing by screwing the sheets at the lower end to the base boards (3 screws / sheet).